

# VDOT-GES24-1575WR Fixed Candela Strobe



## Applications

The VDOT-GES24-15-75WR is a low profile strobe, that offers dependable visual alarms and the absolute lowest current available. The strobe has a candela output 15/75

The VDOT-GES24-15/75 is shipped with the standard 4" mounting plate which incorporates the popular Super-Slide® feature that allows the installer to easily test for supervision. The product also features a locking mechanism which secures the product to the bracket without any screws showing. It also features the patented Checkmate® Instant Voltage Verification feature which allows the installer to check the voltage drop draw and match it to the blueprint. The GES Series appliances are ANSI/UL 464, ANSI/UL 1971, ANSI/UL 1638, CAN/ULC S525 (24 VDC only) and/or CAN/ULC S526 (24 VDC only), listed for use with fire protective systems and are warranted for three years from date of purchase.

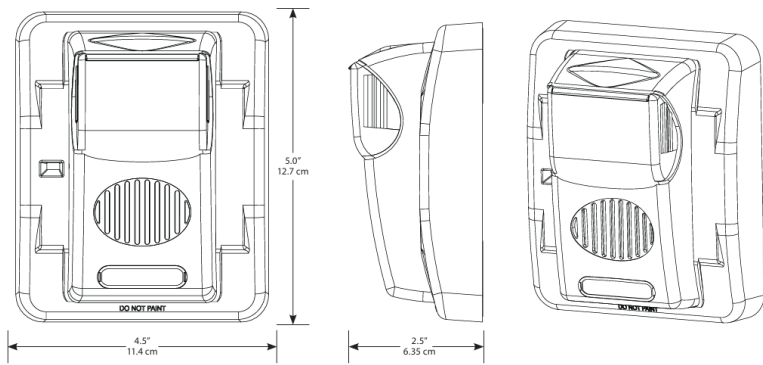
## Standard Features

- Nominal voltage 24 VDC for strobe
- Fixed candela models of 15/75
- Unit Dimensions: 5" (12.7 cm) high x 4.5" (11.43 cm) wide x 2.5" (6.35 cm) deep
- Super-Slide® Bracket, Ease of Supervision Testing
- Checkmate® Instant Voltage Verification
- Prewire entire system, install mounting bracket, then install signals
- Input terminals 12 to 18 AWG
- Synchronize strobe with the VDOT-AVSM Control Module
- Tamperproof re-entrant style grill and locking screw (optional use)
- Surface mount option with surface mount box
- Faceplate available in red or off-white
- Wall mount

## Product Listings



- ANSI/UL 464, ANSI/UL 1971 and/or ANSI/UL 1638 Listed
- CAN/ULC S525 and/or CAN/ULC S526 Listed (24 VDC only)
- CSFM: 7135-0569:122 (GEH-24 & GEC-24)  
7125-0569:123 (GES-24)  
7135-0569:130 (GEH-12)
- MEA: 285-91-E-XV



## Strobe Current Ratings (mA)

Candela	UL Max
15/75cd	67mA

